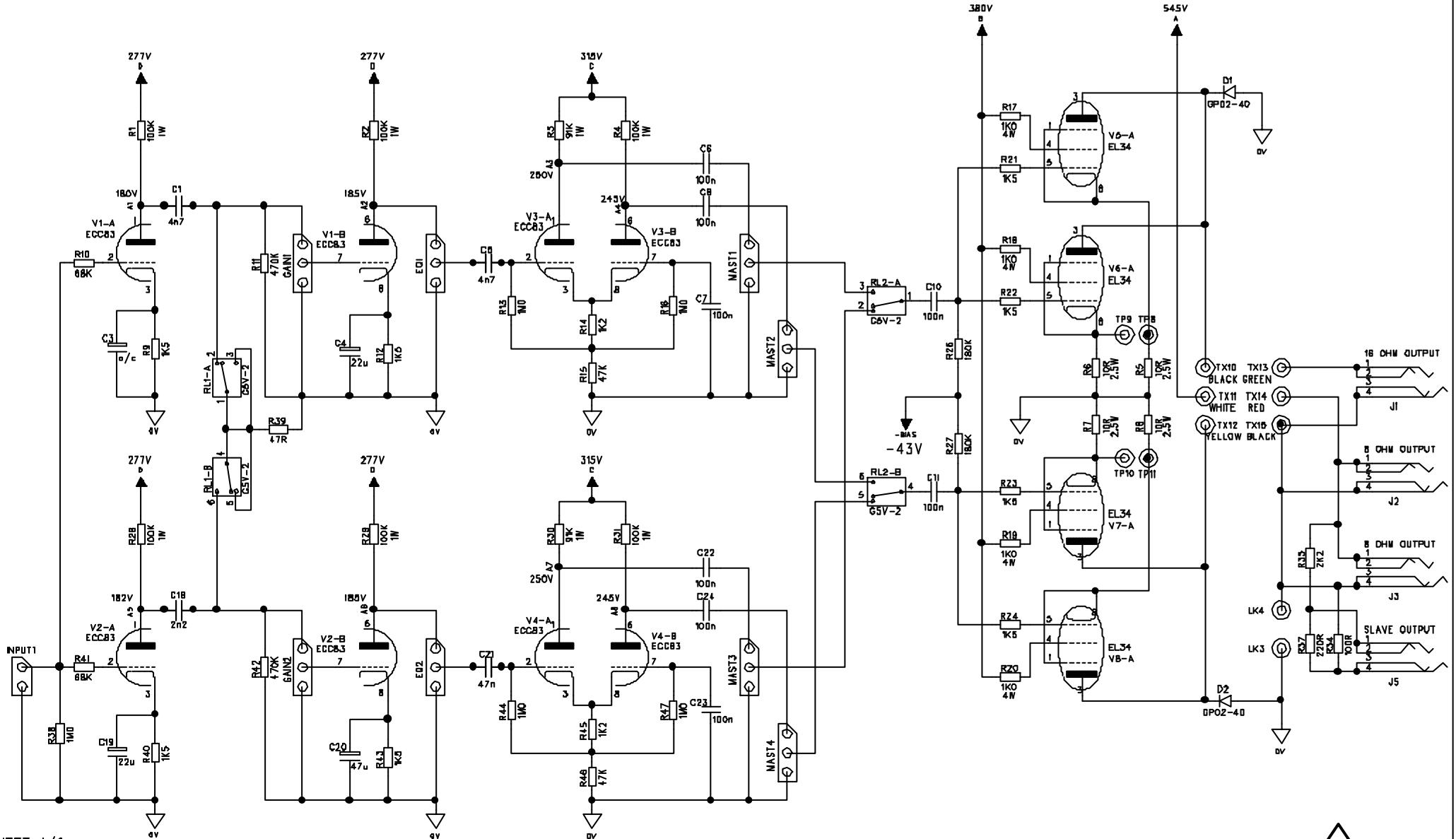


# ORANGE AD140 Twin Channel - MAIN BOARD

ISSUE CHANGE NOTE DATE	ISSUE CHANGE NOTE DATE	ISSUE CHANGE NOTE DATE



SHEET 1/2  
Circuit Design by Adrian Emley

FOR USE WITH PC00145

TITLE MAIN BOARD  
PROJECT ORANGE AD140 Twin Channel  
DRAWING No C000145  
ISSUE 1  
DATE 29 January 2001  
DRAWN BY PAUL STEVENS

**TRACE ELLIOT LTD**  
BLACKWATER TRADING ESTATE  
WALTON ESSEX CM9 4GG  
GREAT BRITAIN  
TEL (01821) 851851  
FAX (01821) 851975

ALL TEST POINT VOLTAGES ARE DC WITH RESPECT TO TP0 0V EXCEPT WHERE OTHERWISE INDICATED. BIAS SET FULLY ANTI-CW TOLERANCE +/- 10%

Connects to PC00133  
Refer to C000133

