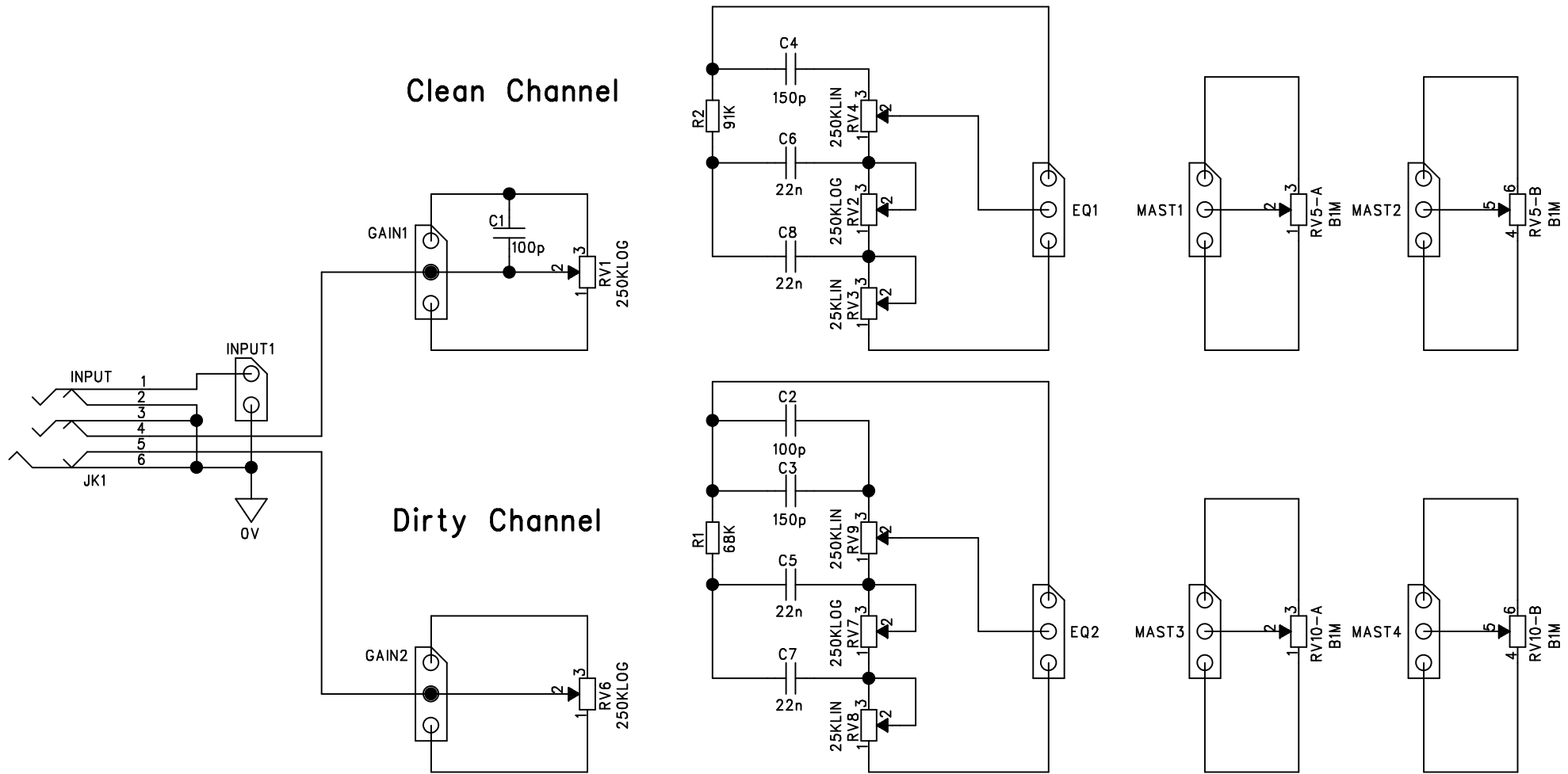


ORANGE AD30/AD140 Twin Channel FRONT PANEL



TITLE	FRONT PANEL	ORANGE Musical Electronic Co. Ltd. Glenhaven Avenue Borehamwood, WD6 1AY Great Britain Tel: +44 (0) 20 8905 2828 Fax: +44 (0) 20 8905 2868 info@orangeamps.com
PROJECT	ORANGE AD30/AD140 Twin Channel	
DRAWING No	ORN-CD133	
ISSUE	2	
DATE	21 June 2007	
DRAWN BY	PS	
ORIGINAL CIRCUIT DESIGN BY	Adrian Emsley	



COMPONENTS USED ARE OF AN APPROVED TYPE AND MUST BE REPLACED ACCORDINGLY