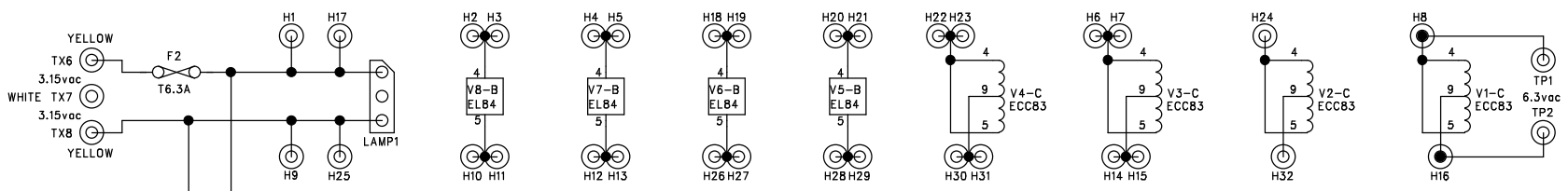
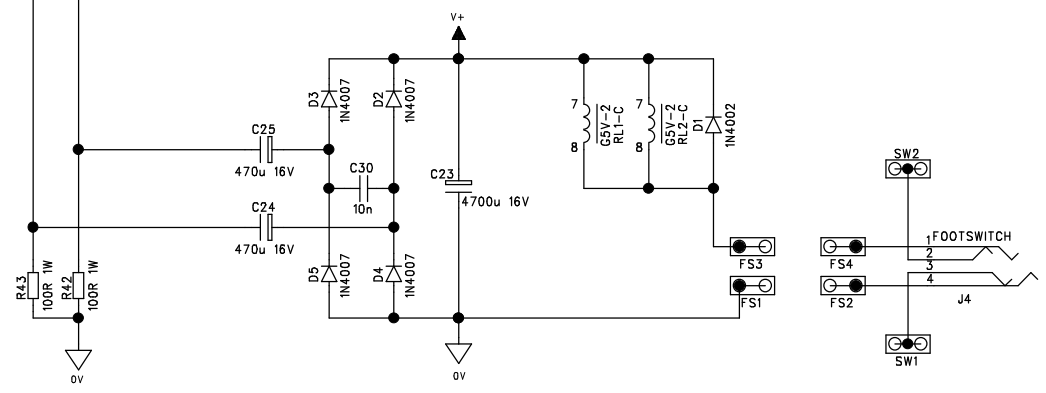


Filament heaters hardwired with Black 7/0.2: H1-H2, H3-H4, H5-H6, H7-H8, H17-H18, H19-H20, H21-H22, H23-H24



Filament heaters hardwired with White 7/0.2: H9-H10, H11-H12, H13-H14, H15-H16, H25-H26, H27-H28, H29-H30, H31-H32



SHEET 2/2

FOR USE WITH ORN-PC134-2

TITLE	MAIN BOARD	ORANGE Musical Electronic Co. Ltd.
PROJECT	ORANGE AD30	Glenhaven Avenue
DRAWING No	Twin Channel	Borehamwood WD6 1AY
ISSUE	ORN-CD134	Great Britain
DATE	19 June 2007	Tel: +44 (0) 20 8905 2828
DRAWN BY	PS	Fax: +44 (0) 20 8905 2868
ORIGINAL CIRCUIT DESIGN BY	Adrian Emsley	info@orangeamps.com

ALL TEST POINT VOLTAGES ARE DC WITH RESPECT TO TP0 0V
EXCEPT WHERE OTHERWISE INDICATED
TOLERANCE +/- 10%

