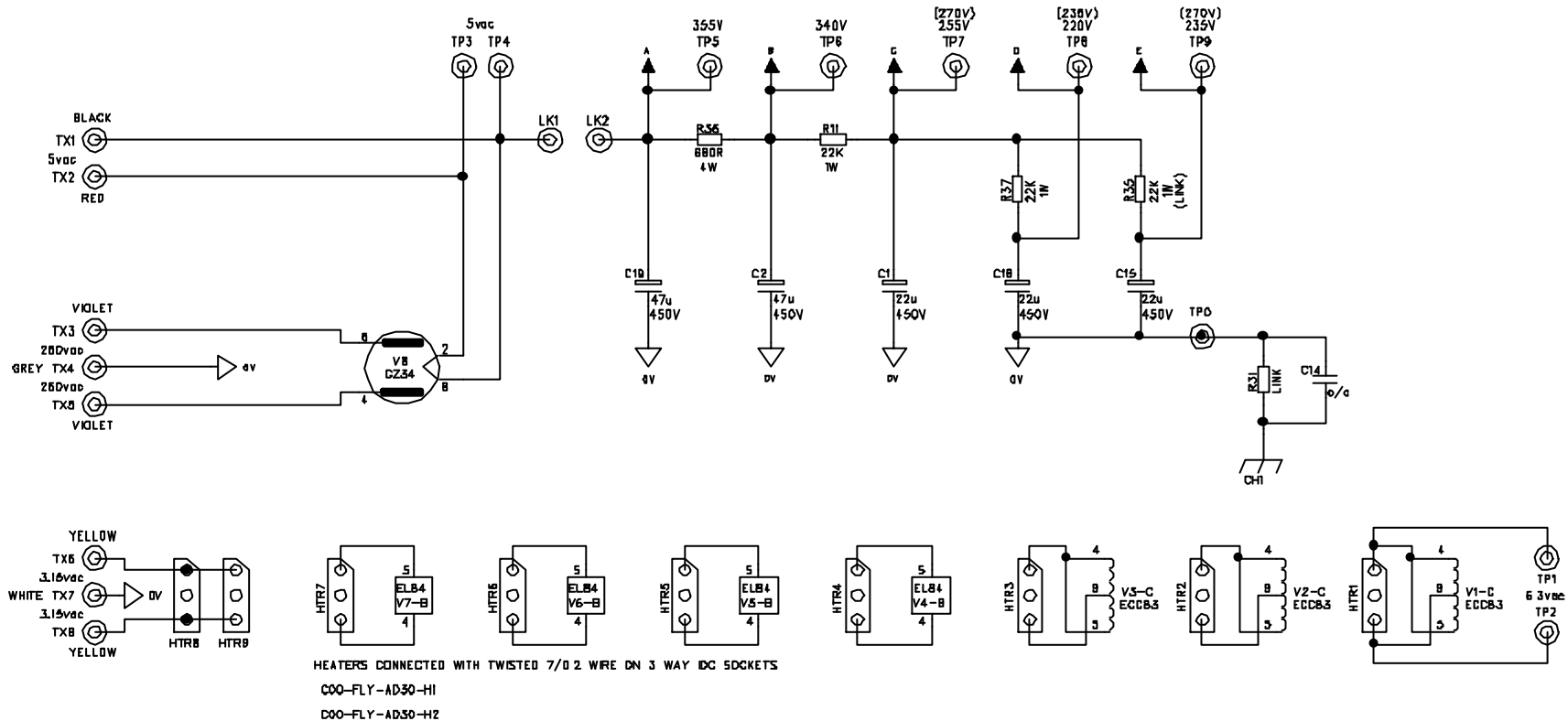


ISSUE CHANGE NOTE DATE	ISSUE CHANGE NOTE DATE	ISSUE CHANGE NOTE DATE
ISSUE CHANGE NOTE DATE	ISSUE CHANGE NOTE DATE	ISSUE CHANGE NOTE DATE



ALL TEST POINT VOLTAGES ARE DC WITH RESPECT TO TPD 0V
EXCEPT WHERE OTHERWISE INDICATED
TOLERANCE +/- 10%
ALL VALUES IN BRACKETS ARE FOR AD30 HEAD VERSION



TITLE	MAIN BOARD	TRACE ELLIOT LTD
PROJECT	ORANGE A030	BLACKWATER TRADING ESTATE
DRAWING No	C000115	WALDON ESSEX CM9 4QC
ISSUE	5	GREAT BRITAIN
DATE	6 SEPTEMBER 2000	TEL (01821) 851851
DRAWN BY	PAUL STEVENS	FAX (01821) 851975